

# DEMA 5801V-RB SOLID RINSE BOWL INSTALLATION INSTRUCTIONS

All hardware required for installation is included with unit per individual order. No brackets or other hardware necessary.

**NOTE: ALL WORK SHOULD BE DONE IN A NEAT WORKMANSHIP MANNER AND ADHERE TO ALL APPLICABLE PLUMBING CODES.**

## **I. Wall Mounting**

---

1. Drill holes approximately 1" deep in wall, to match mounting holes in Bowl. If wall is tile or masonry, use 1/4" masonry bit.
2. Mount Bowl to wall using mounting screws and anchors provided. Bowl should be mounted below eye level if possible.
3. Attach wire harness to dispenser & secure.

**NOTE: 24V- 50/60 HZ / 10W coil is standard on 24-Volt units.**

## **II. Connection to Water Supply (See Figure 1)**

---

The water temperature should be kept between 120 and 140 deg. F if possible.

**WATER TEMPERATURE SHOULD NEVER EXCEED 160 DEGREES FAHRENHEIT.**

1. Attach water inlet to bottom of valve.

## **III. Connection to Rinse Pump**

---

On the bottom of the Solid Rinse Bowl in the reservoir, a 1/4" John Guest fitting has been attached to make the rinse pump connection. This fitting is to be connected to the suction side of the rinse pump with 1/4" plastic tubing. The reservoir will automatically fill the first time the detergent dispenser is turned on. The Solid Rinse Bowl will then keep some of the liquefied rinse additive in the reservoir at all times.

A level control switch (LCS) is used to automatically maintain the amount of rinse additive in the reservoir. At all times the level control switch will control the rinse additive level in the reservoir.

The detergent dispenser may call for the detergent numerous times after the reservoir is full, but no more product will be dissolved until the LCS senses that more is needed.

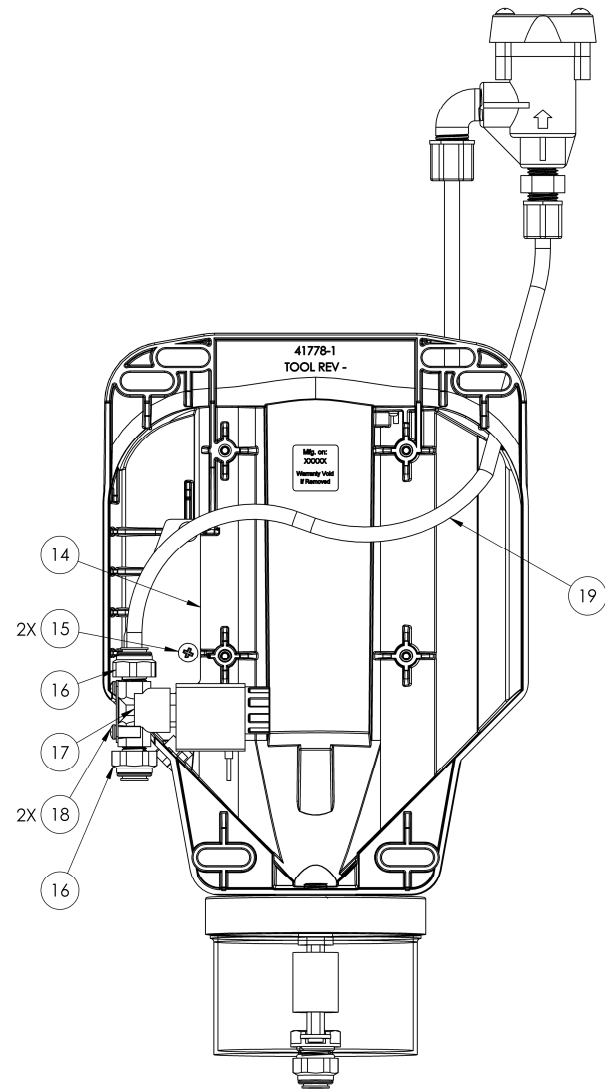
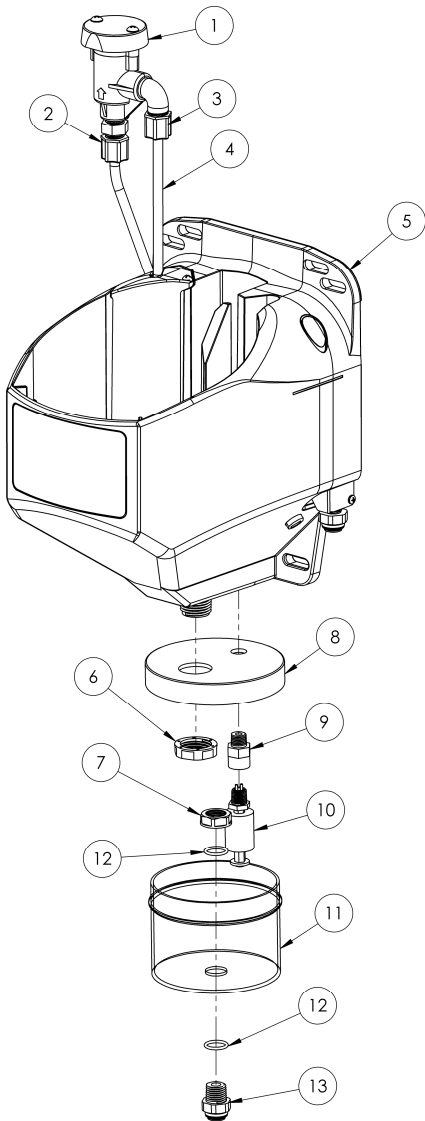
# DEMA 5801V-RB

## SOLID RINSE BOWL

### INSTALLATION INSTRUCTIONS

ITEM NO.	DEMA NO.	DESCRIPTION
1	58-1LA	VACUUM BREAKER – PLASTIC
	61-93	VACUUM BREAKER – BRASS
2	58-103-2	STRAIGHT FITTING – FOR PLASTIC VB
	58-53-8	STRAIGHT FITTING – FOR BRASS VB
3	85-22-15	MALE ELBOW – FOR PLASTIC VB
	58-54-4	MALE ELBOW – FOR BRASS VB
4	41783-1	BENT INLET TUBE
5	41938-1	VIKING RINSE BOWL
6	58-400-2	NUT, NYLON, 1/2" NPT
7	58-400-1	NUT NYLON 1/4 NPT
8	58-135-1	VIKING RINSE BOWL LID-MACHINE HOLES

ITEM NO.	DEMA NO.	DESCRIPTION
9	58-137-1	THREADED CONNECTOR M X F 1/8-27 NPT
10	58-322-5X	FLOAT SWITCH
11	58-136-1	VIKING RINSE BOWL CUP W/HOLE
12	30-5-14	O-RING-SEAL EPT (1/2" I.D. X 5/16" O.D. X 1/16" NOM.)
13	58-103-2	STRAIGHT FITTING
14	41907-1	RINSE BOWL VALVE BRACKET
15	44-116-1	#8 HI-LO SCREW X 1/2" LONG
16	58-103-1	STRAIGHT FITTING
17	41909-1	1/8" NPT DIRECT ACTING NC VALVE W-24 VDC COIL
18	41908-1	M3 X X6MM PANHEAD MACHINE SCREW SS
19	24575-50	LLDPE TUBING 12" LONG



**DEMA 5801V-RB  
SOLID RINSE BOWL  
INSTALLATION INSTRUCTIONS**

**RETURNS**

---

**NO MERCHANDISE MAY BE RETURNED FOR CREDIT WITHOUT DEMA'S WRITTEN PERMISSION.  
RETURN MERCHANDISE AUTHORIZATION NUMBER REQUIRED IN ADVANCE OF RETURN.**

**WARRANTY**

---

DEMA products are warranted against defective material and workmanship under normal use and service for one year from the date of manufacture. This limited warranty does not apply to any products which have a normal life shorter than one year, or failure and damage caused by chemicals, corrosion, improper voltage supply, physical abuse, or misapplication. Rubber and synthetic rubber parts such as "O"- rings, diaphragms, squeeze tubing and gaskets are considered expendable and are not covered under warranty. This warranty is extended only to the original buyer of DEMA products. If products are altered or repaired without prior approval of DEMA, this warranty will be void.

Defective units or parts should be returned to the factory with transportation prepaid. If inspection shows them to be defective, they will be repaired or replaced without charge, F.O.B. factory. DEMA assumes no liability for damages. Return merchandise authorization number, to return units for repair or replacement, must be granted in advance of return.